



Technical Data of Distribution Transformer 11/0.433 kV Dyn 11

RATED (KVA)	TYPE	LOSSES (W)		IMPEDANCE (%)	TOTAL WEIGHT (KG)	OIL QUANTITY (LITRE)	OVERALL DIMENSION (mm)			DIAGRAM
		NO LOAD	LOAD				LENGTH	WIDTH	HEIGHT	
100	S	250	1360	4.75	620	140	917	697	1050	A
300	S	600	2800	4.75	1650	388	1218	779	1275	A
					1814	388	1232	1507	1454	C
500	S	1000	4100	4.75	2144	553	1370	850	1377	A
					2308	553	1372	1495	1554	C
750	S	1200	5600	4.75	2454	464	1563	893	1441	A
					2641	464	1567	1649	1652	C
1000	S	1400	7000	4.75	3190	604	1700	950	1527	A
					3377	604	1700	1741	1710	C
1250	S	1600	10000	5.00	4023	854	1903	1153	1631	A
							2212	2100	1845	C
1500	S	2200	17000	6.00	4683	1234	2113	1651	1962	A
					4976	1234	2386	2441	1996	C
2000	S	2200	25000	6.00	6217	1631	2263	2519	2203	C
	C				6107	1782.9	2566	2297	2864	B
2500	S	2500	25000	7.00	7426	1513	2565	2334	2305	C
3000	S	3000	32000	7.00	8404	2158	2679	2844	2367	C

S - Hermetically Sealed Type C - Conservator Type

Technical Data of Distribution Transformer 22/0.433 kV Dyn 11

RATED (KVA)	TYPE	LOSSES (W)		IMPEDANCE (%)	TOTAL WEIGHT (KG)	OIL QUANTITY (LITRE)	OVERALL DIMENSION (mm)			DIAGRAM
		NO LOAD	LOAD				LENGTH	WIDTH	HEIGHT	
100	S	240	1600	5.00	951	331	1094	814	1440	A
300	S	700	4400	5.00	1408	389	1436	876	1499	A
500	S	900	7300	5.00	2189	511	1752	1114	1548	A
750	S	1200	9200	5.00	2467	596	1703	1033	1827	A
1000	S	1500	11700	5.00	3734	842	1943	1193	2026	A
2000	S	2700	19000	6.00	6152	1402	2572	2500	2599	C

S - Hermetically Sealed Type C - Conservator Type

Technical Data of Distribution Transformer 33/0.433 kV Dyn 11

RATED (KVA)	TYPE	LOSSES (W)		IMPEDANCE (%)	TOTAL WEIGHT (KG)	OIL QUANTITY (LITRE)	OVERALL DIMENSION (mm)			DIAGRAM
		NO LOAD	LOAD				LENGTH	WIDTH	HEIGHT	
100	S	300	1500	5.00	1294	389	1192	820	1575	A
300	S	730	4500	5.00	2040	669	1446	915	1563	A
500	S	1020	7180	5.00	2094	544	1646	1055	1618	A
750	S	1385	9200	5.00	2897	845	1747	1017	1777	A
1000	S	1665	11850	5.00	3026	799	1876	1066	1815	A

S - Hermetically Sealed Type C - Conservator Type

Technical Data - Samples of Customized Design -

RATED (KVA)	TYPE	VECTOR GROUP	VOLTAGE (KV)	LOSSES (W)		IMPEDANCE (%)	TOTAL WEIGHT (KG)	OIL QUANTITY (LITRE)	OVERALL DIMENSION (mm)		
				NO LOAD	LOAD				LENGTH	WIDTH	HEIGHT
630	S	Dyn11	3.3/0.43	1300	6500	4.00	2914	517	1549	1543	1643
670	C	YNd11	0.430/15	1200	6200	5.00	2798	686	2519	1569	1988
1000	S	Dyn11	11-6.6/0.4	1300	9000	5.20	4940	1360	2159	1577	1771
1000	S	YNyn0	33/415	1500	10000	5.00	3230	746	1740	1046	1900
1250	S	YNd11	.415/11	2100	7900	4.75	4114	779	1846	947	1678
1500	S	Dyn11	33/11	1600	16500	5.00	5458	1456	2263	1397	2065
1500	S	YNd1	11/33	2400	14500	5.00	4776	1143	1978	1048	2072
1600	S	Dyn11	6.6/0.433	1500	14500	6.25	6230	1230	2220	2527	2231
2000	C	Dyn11	3.3/0.44	3200	20000	6.50	5876	1821	2464	2417	2491
2000	S	Dyn11	22/11	2500	19500	7.50	5577	1503	2307	1320	2085
2000	S	YNd1	11/22	2500	19500	7.50	5621	1339	2258	1338	1988
2500	S	Dyn1	33/11	3500	17500	6.00	8781	2235	2688	2356	2545

S - Hermetically Sealed Type C - Conservator Type

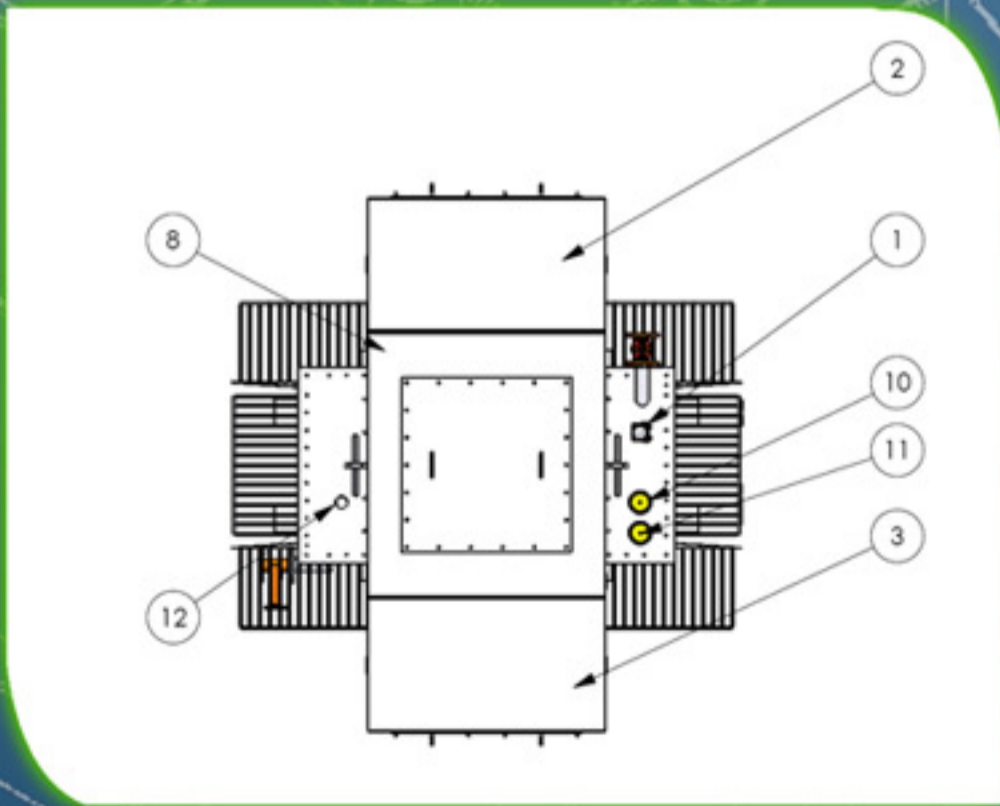
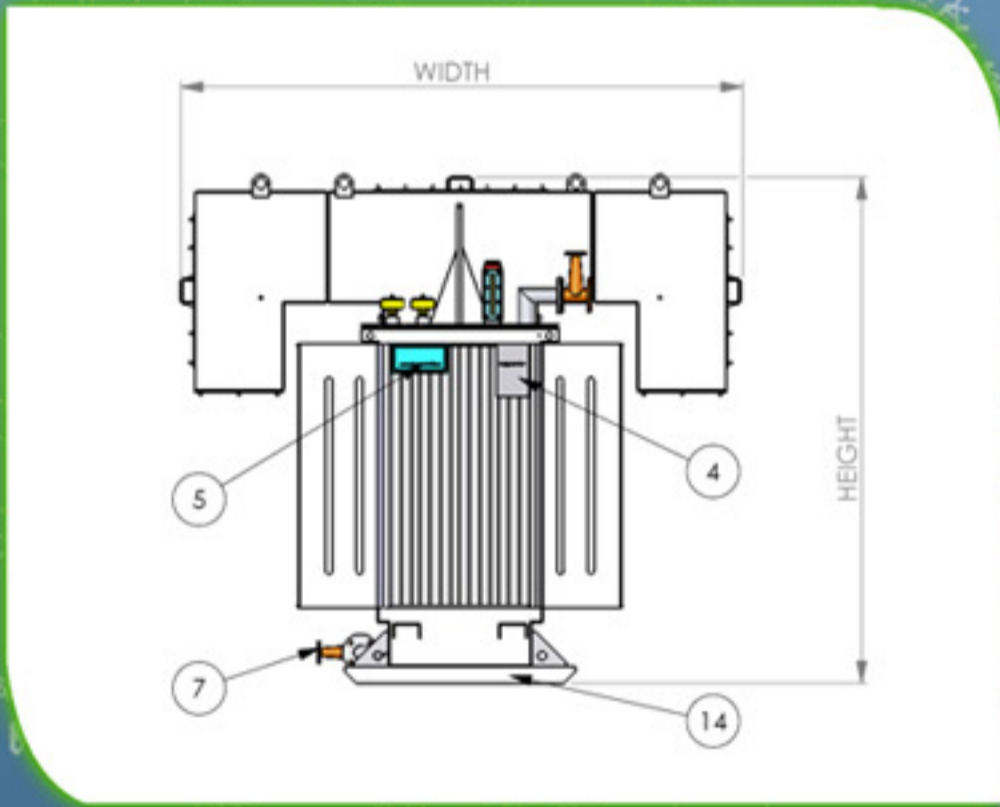
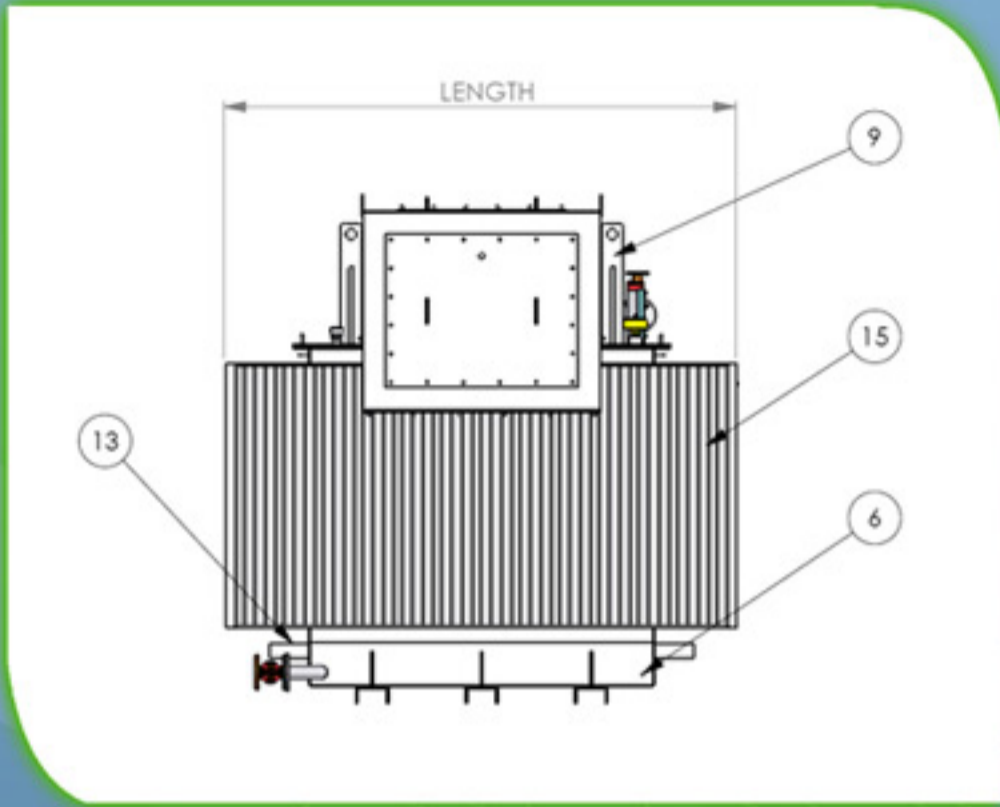


MS ISO 9001
REG NO:AR1298

DISTRIBUTION TRANSFORMERS
TECHNICAL DATA



MALAYSIA TRANSFORMER DISTRIBUTION TRANSFORMER



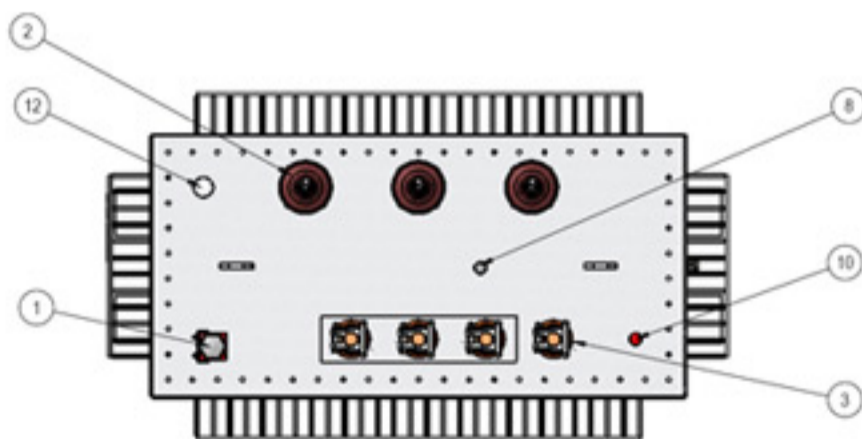
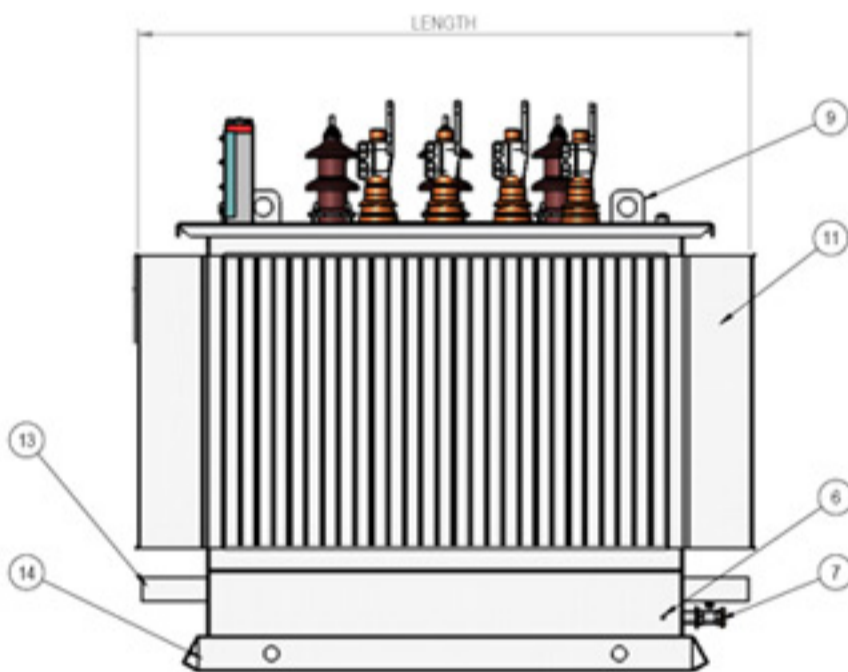
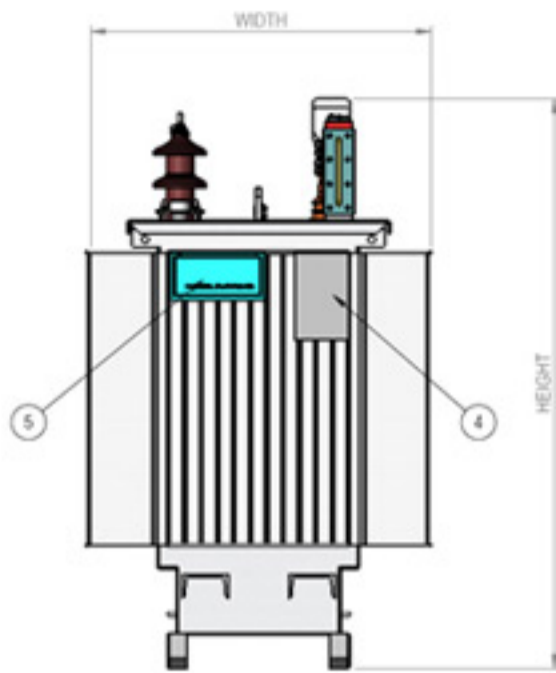
Item Description

1. Oil level Gauge
2. HV Cable Box
3. LV cable Box
4. Rating And Diagram Plate
5. MTM Logo Plate
6. Earthing Terminals
7. Oil Drain/Sampling Device
8. Trunking Box
9. Lifting Hook For Complete Unit
10. Oil Temperature Indicator
11. Pressure Gauge
12. Pressure Relief Device
13. Jacking Pad
14. Base Channel
15. Finwalls

JAI	ZAM	MAEL - 25/06/03	Title.	An Outline for
Design by	Check by	Approved - date		2500 kVA 11/.433 kV Dyn 11
Elec. Spec.	2500-103(11/.433)		Product.	2500kVA 11kV
Mech. Spec.	2500-103		Dwg. No.	ED1-013-006
Customer			Scale	NTS
			Rev	0
Deviations for dimension without tolerance indication		EN ISO 13920-B(TECSP/04/14)		



MALAYSIA TRANSFORMER DISTRIBUTION TRANSFORMER



Item Description

1. Oil Level Gauge
2. High Voltage Bushings
3. Low Voltage Bushings
4. Rating And Diagram Plate
5. MTM Logo Plate
6. Earthing Terminals
7. Oil Drain/Sampling Device
8. Off Load Tap Changer
9. Lifting Hook For Complete Unit
10. Thermometer Pocket
11. Finwalls
12. Pressure Relief Device
13. Jacking Pad
14. Skid Base

DATE: 19-Jan-09	SIGN:	INITIAL:	ALL DIMENSIONS ARE IN MM UNLESS OTHERWISE SPECIFIED.	TITLE:	TITLE	
APPROVED BY:	CCC				PROJECTION	Sht No
CHECKED BY:	BBB				THIRD ANGLE	1 of 1
DESIGNED BY:	AAA				DWG.NO.:	
ELEC. SPEC.:	ELEC SPEC NO					
MECH. SPEC.:	MECH SPEC NO					
<small>Deviations for dimension without tolerance indication EN ISO 13920-B(TECSP/04/14)</small>				MALAYSIA TRANSFORMER	DWG NOA	
<small>This dwg is the property of Malaysia Transformer Manufacturing and may not be copied for any purpose to unauthorized</small>						



DISTRIBUTION TRANSFORMER TECHNICAL DATA

MALAYSIA TRANSFORMER

(A subsidiary of Tenaga Nasional Berhad)

MALAYSIA TRANSFORMER MANUFACTURING SDN BHD

LOT 22 JALAN AU3/1, ULU KELANG

54200 KUALA LUMPUR, MALAYSIA

TEL: +603-41076233/4/5/6 (GL)

FAX: +603-41071110

sales@mtm.com.my
www.mtmsb.com